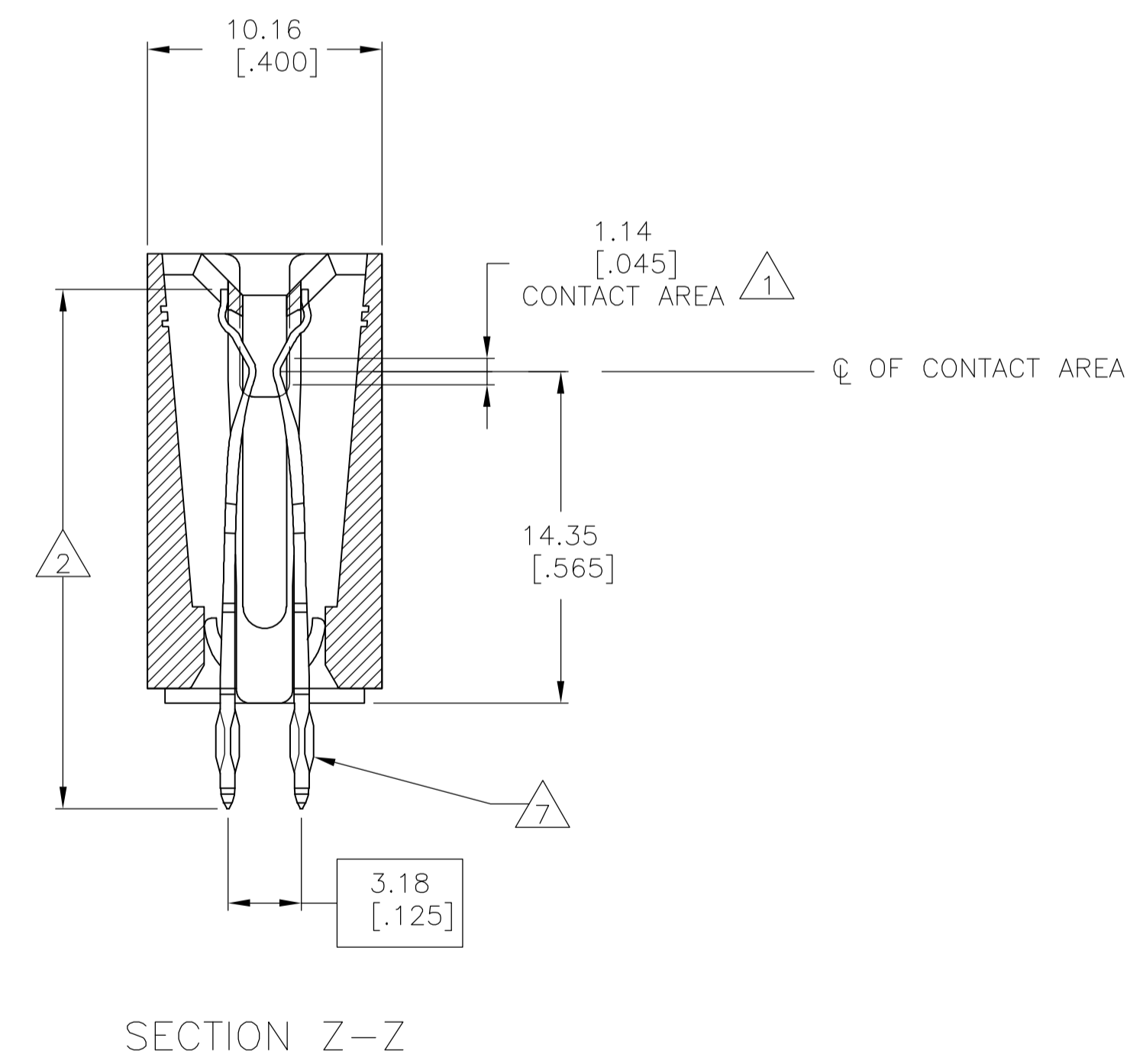
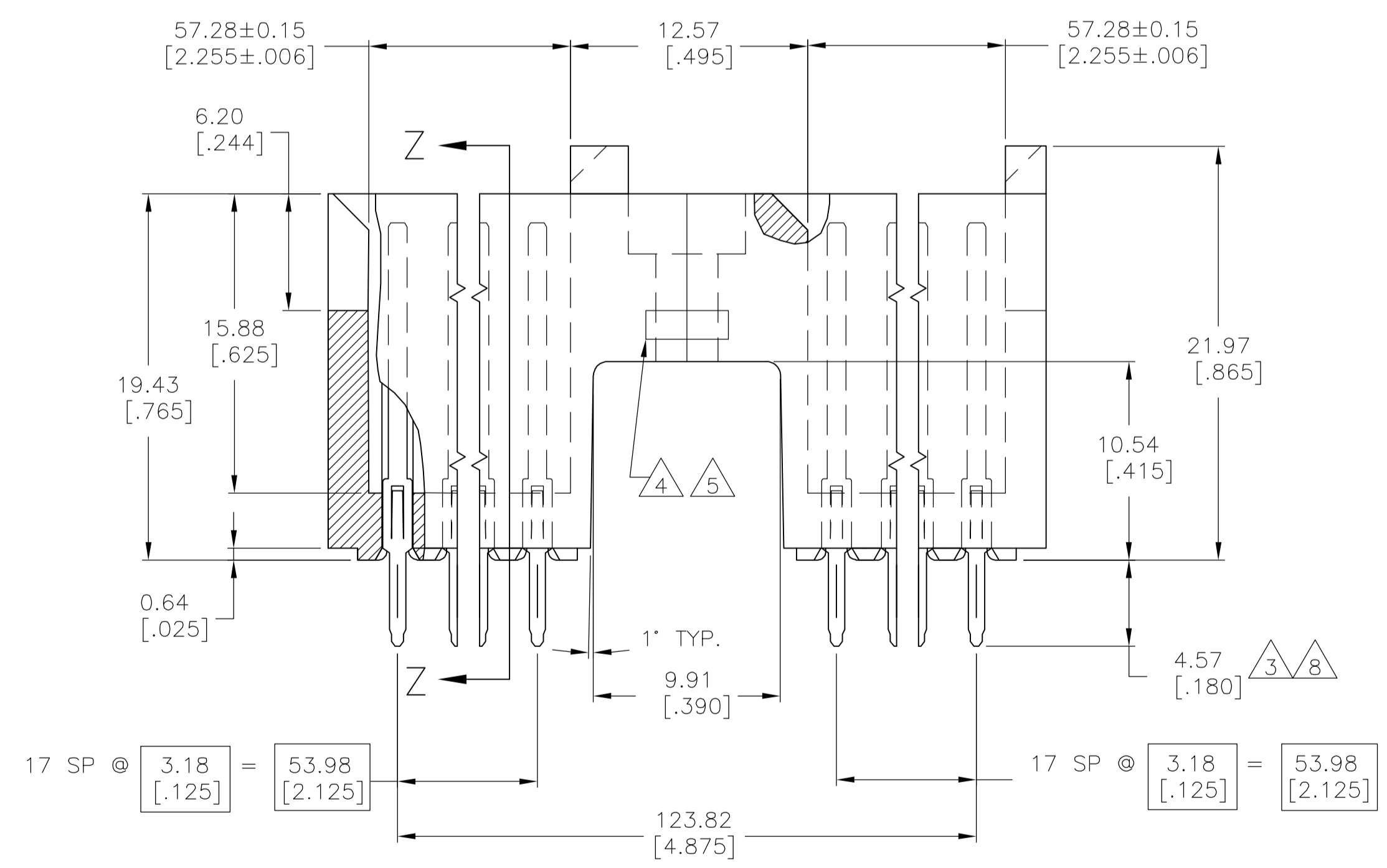
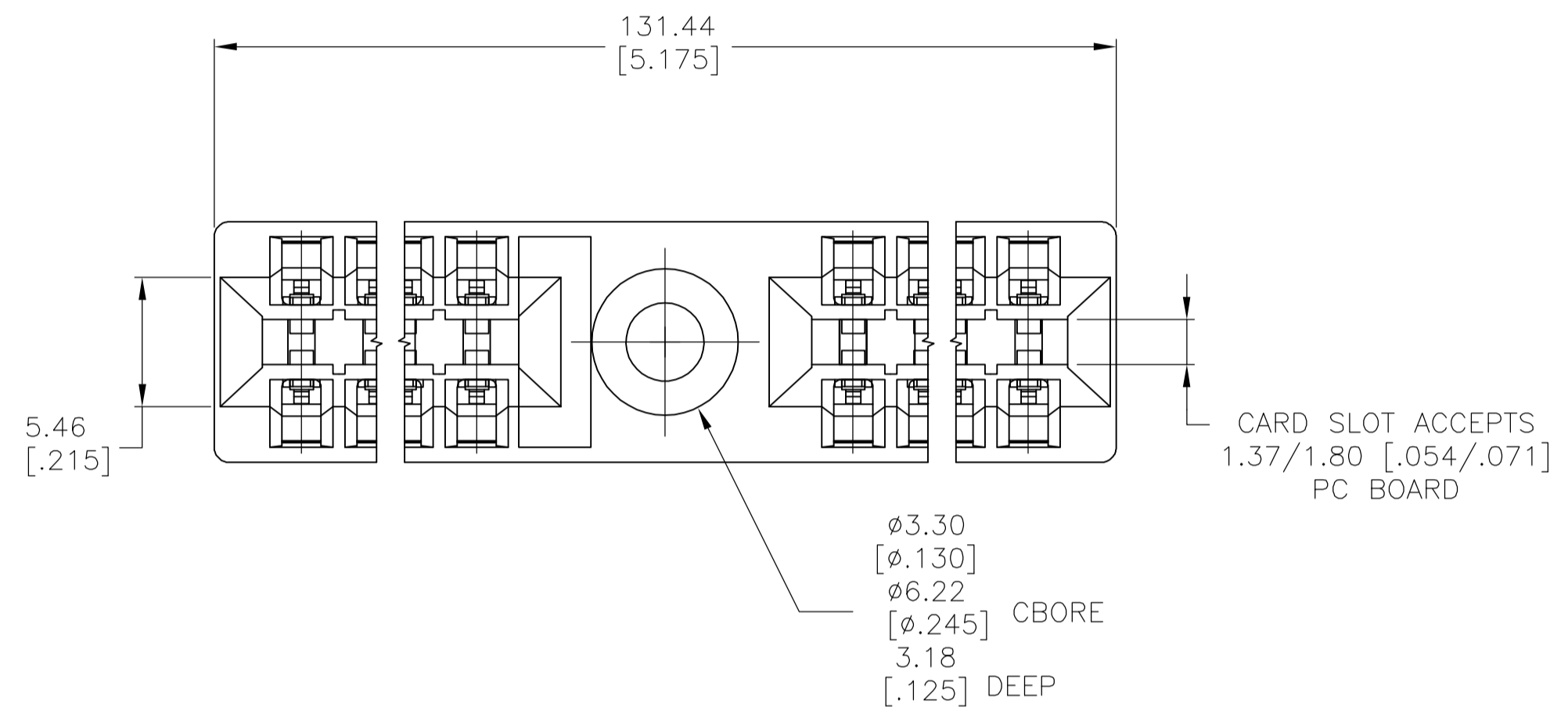


- 1 GOLD PLATE .00076 [.000030] MIN. THICK.
- 2 NICKEL PL .00127[.000050] MIN. THK. PER QQ-N-290
- 3 SOLDER PL .00254[.000100] MIN. THK.
- 4 STAMPED P/N & DATE CODE.
- 5 ALL PARTS ASSEMBLED IN MEXICO MUST BE STAMPED "ASSY IN MEXICO". THE WORD "MEXICO" CAN BE SUBSTITUTED ONLY WHERE PART SIZE PROHIBITS STAMPING "ASSY IN MEXICO", INK PER 115-9009, APPROX WHERE SHOWN, SIDE OPTIONAL.
- 6. MINIMUM CONTACT RETENTION IN HOUSING IS 0.23KG[.5LB] PER CONTACT.
- 7 ACTION PIN REQUIRES 2.13[.084] MIN. THK. PC BOARD.

REQ'D DRILL SIZE	HOLE DIA ±.03[.001]	PLATING THICKNESS		HOLE DIAMETER		COPPER HARDNESS (KNOOP)	PAD DIA MIN
		COPPER	TIN/LEAD	AFTER PLATING	AFTER REFLOW		
1.15mm	1.15 [.0453]	0.03-0.08 [.001-.003]	0.008 MIN. [.0003] MIN.	0.94-1.09 [.037-.043]	0.914-1.09 [.0036-.043]	150 MAX.	1.57 [.062]
1.15mm	1.15 [.0453]	NOT PLATED THRU					1.65 [.065]

8 MATTE TIN PL .00254[.000100] MIN. THK.



5-119880-1
 119880-1
 PART NO.

THIS DRAWING IS A CONTROLLED DOCUMENT.		DIN H. BAKERMANS 18-FEB-93		Tyco Electronics Corporation Harrisburg, PA 17105-3608	
DIMENSIONS: mm [INCHES]		CHK H. ROSE 7/11/94		APVD H. ROSE 7/11/94	NAME
TOLERANCES UNLESS OTHERWISE SPECIFIED:		PRODUCT SPEC		CONNECTOR, AMP PACE .125x.125	
0 PLC ± -		APPLICATION SPEC		SIZE CAGE CODE DRAWING NO	
1 PLC ± -		114-26002		A1 00779 C=119880	
2 PLC ± -		RESTRICTED TO		WEIGHT	
3 PLC ± .25 [.010]		CUSTOMER DRAWING		SCALE 4:1 SHEET 1 OF 1 REV L	
4 PLC ± -					
ANGLES ± -					
FINISH					
MATERIAL HOUSING: RYTON R-4, BLACK CONTACTS: COPPER NICKEL					